

# SupIR 25-150mm f/1.4, Motorized Continuous Zoom 680119



**HD  
FORMAT**

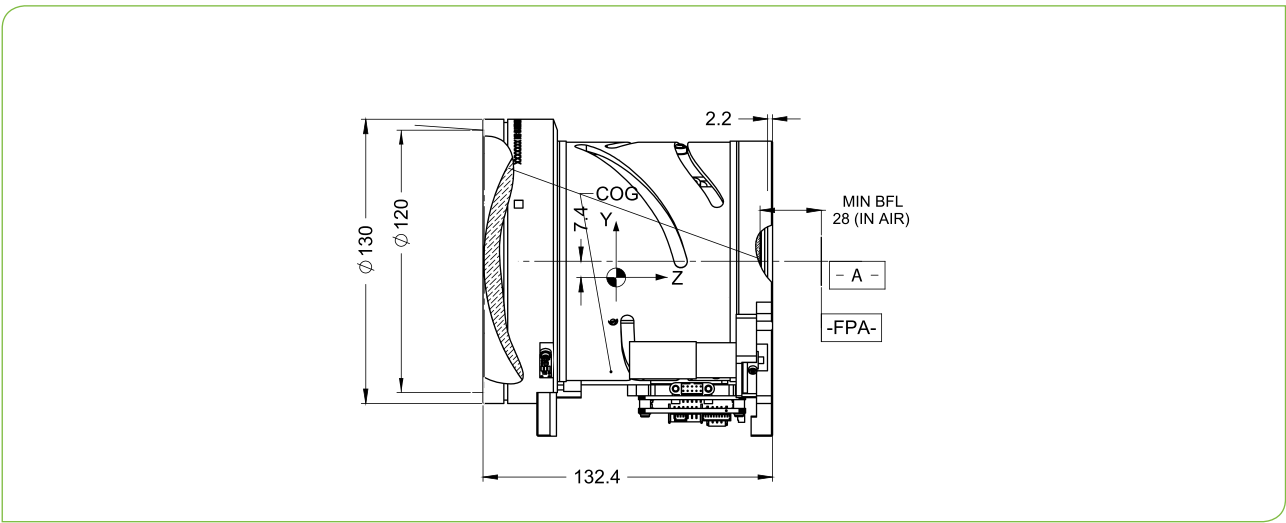
## WFOV(25mm)

HFOV	160x120	320x240	384x288	640x480	1024x768
25μ	9.2°	18.5°	22.3°	37.9°	
17μ	6.2°	12.5°	15.0°	25.3°	41.5°
12μ	4.7°	9.4°	11.3°	18.9°	30.6°

## NFOV(150mm)

HFOV	160x120	320x240	384x288	640x480	1024x768
25μ	1.5°	3.0°	3.7°	6.1°	
17μ	1.0°	2.1°	2.5°	4.1°	6.6°
12μ	0.7°	1.5°	1.8°	2.9°	4.7°

Property	Value	
<b>Optical</b>	<b>WFOV</b>	<b>NFOV</b>
Focal Length	25mm	150mm
F/#	1.4	
Average Transmission (8-12μm)	75% (HC)/ 81% (HD)	
Back Focal Length	≥28mm in air	
Distortion (in diagonal)	<13%	<2%
Minimum Focus Range	0.5m	13m
Nuc (by defocus)	Yes	
<b>Mechanical</b>		
Focus Mechanism	Motorized	
Focus Time (minimum range to ∞)	≤8 sec.	
Zoom Mechanism	Motorized	
Zoom Time (NFOV to WFOV)	≤8 sec.	
Weight	1.9kg	
Max. Dimensions	Ø141mm x 132.9mm	



LWIR | ZOOM

Property	Value
<b>Electrical</b>	
Lens Control	Designated lens controller
Drive Voltage	12VDC
Current Consumption	0.3A average, 0.8A peak
Communication Protocol	RS422
<b>Environmental</b>	
Operation Temperature	-32°C to +80°C
Storage Temperature	-54°C to +85°C
Sealing	IP 67 front element only
<b>Configurations</b>	
680119-003	High Durability Gen 3
680119-004	Hard Carbon Gen 3